

-40°C Ultra-low Temperature Freezer

Compressor Supplied by a Famous International Brand

One-key Fast Cooling



DW-FW270

Refrigeration System

- The Freon-free refrigerant, international famous brand compressor and fan can guarantee fast cooling and are energy-saving and environmentally friendly;
- The CFC-free Polyurethane foaming technology can ensure great thermal insulation performance.

Temperature Control System

The high-precision microcomputer temperature control system and platinum resistor temperature sensors ensure more precise temperature control.

Human-oriented Design

- The high-quality steel plate structure, corrosion-resistant phosphate coating and stainless steel liner are low temperature tolerant and corrosion-resistant.;
- The low noise design can create a comfortable work environment.





Temperature Control System

- High precision microcomputer temperature control, more accurate;
- Chamber temperature can be set within a range from -20 to -40°C;
- High-precision microcomputer temperature control system and platinum resistor temperature sensors ensure more precise temperature control.



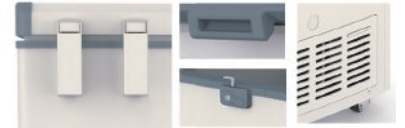
Refrigeration System

- HCFC-free refrigerant, reliable compressor and fan supplied by international famous brand guarantee fast cooling and are energy-saving and environmentally friendly;
- CFC free polyurethane foaming technology, perfect insulation performance. Hot gas surrounding line to prevent from condensation.



Security System

- The start delay and stopping interval protection function can ensure reliable operation;
- The well-developed security system with multiple audible & visual alarm function: sensor failure alarm, high & low temperature alarm, power failure alarm, low battery alarm, condenser overheated alarm to ensure the safety sample storage;
- Door with key lock to prevent opening without permission.
- Back-up battery for display and alarms system during power failure for supportive safety notification.



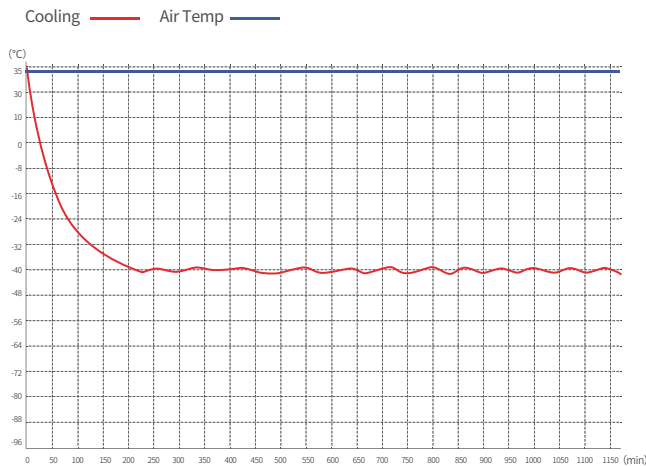
Human-oriented

- The design of upward door opening and the alancing door hinge facilitate door opening;
- High quality phosphate steel structural coating, stainless steel lining and easy cleaning, low noise design, 4 universal casters for easy movement, equipped with door locks to ensure sample safety.

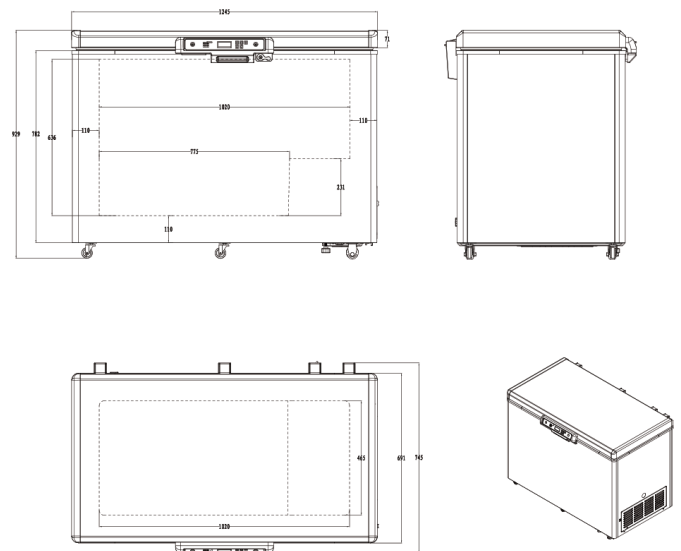
✓ Scope of Application

Suitable for use in blood banks, hospitals, health and disease prevention systems, research institutions, colleges & universities, the electronic industry, biological engineering, laboratories in colleges & universities, military enterprises, deep-sea fishing companies, etc.

🔗 Performance Data / Cooling Curve



📏 External Dimensions



-40°C Ultra-low Temperature Freezer	
Model	DW-FW270
Cabinet Type	Chest
Capacity(L)	270
Internal Size(W*D*H)mm	1019*465*651
External Size(W*D*H)mm	1245*775*929
Package Size(W*D*H)mm	1332*815*975
NW/GW(Kgs)	77/85
Performance	
Temperature Range	-20~-40°C
Ambient Temperature	16-32°C
Cooling Performance	-40°C
Climate Class	N
Controller	Microprocessor
Display	Digital display
Refrigeration	
Compressor	1pc
Cooling Method	Direct cooling
Defrost Mode	Manual
Refrigerant	R290
Insulation Thickness(mm)	110
Construction	
External Material	Cold rolled steel sheet
Inner Material	Stainless steel
Coated Hanging Basket	1
Door Lock with Key	Yes
Foaming Lid	Optional
Access Port	1pcs. Ø 25mm
Casters	4
Door with Heater	Hot gas surrounding
Alarm	
Temperature	High/Low temperature
Electrical	Power failure,low battery
System	Sensor failure
Electrical	
Power Supply(V/HZ)	220-240~/50
Power(W)	222
Power Consumption(KWh/24h)	2.99
Rated Current(A)	1.80

*The model, parameters and performance specified in this brochure may be changed without prior notice because of product upgrading.

*There may be differences between the product images shown in this brochure and the actual products. When you are buying any product, please check the actual product.