

New Upgrade • Stable Performance • High Quality



DW-YL90



Temp. fluctuation



Pulling down to -25°C



Temp. recovery after door opened for 1 min

*Typical freezer data based on internal testing with freezer set point at -25°C and ambient temperature at 25°C.

Features



ABS drawers
3 ABS drawers



Temperature control system
Display temp. in 0.1°C increments



Hydrocarbon refrigerant
Environment-friendly natural gas



CE certificate

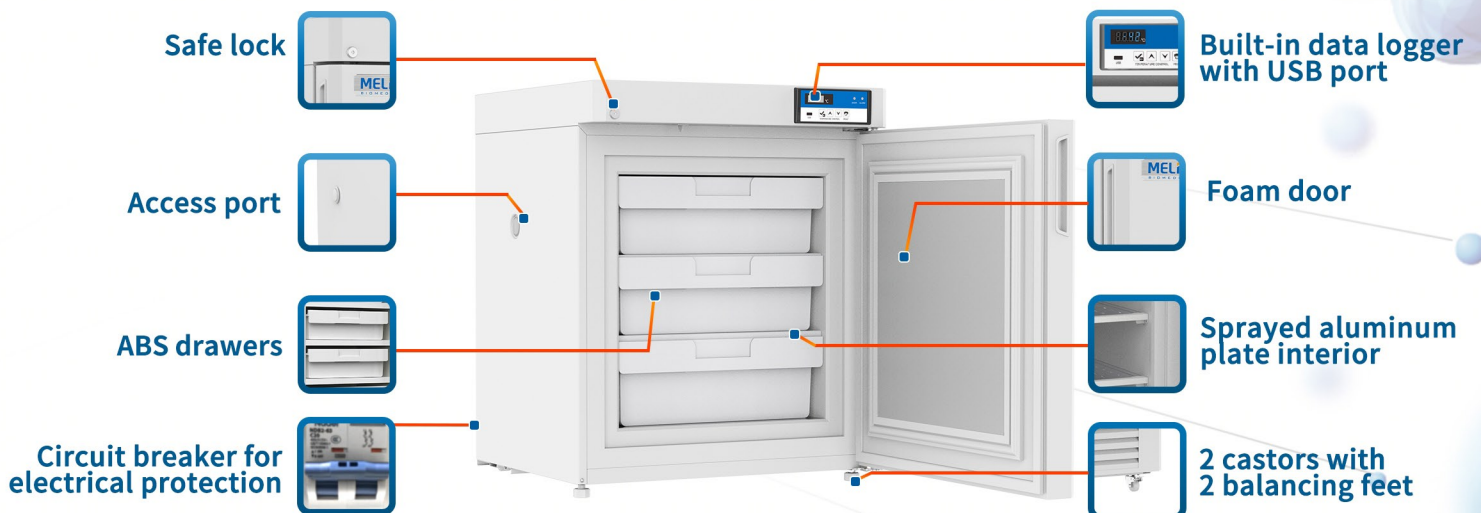


USB Port + RS485 interface
Define and transfer critical temperature data

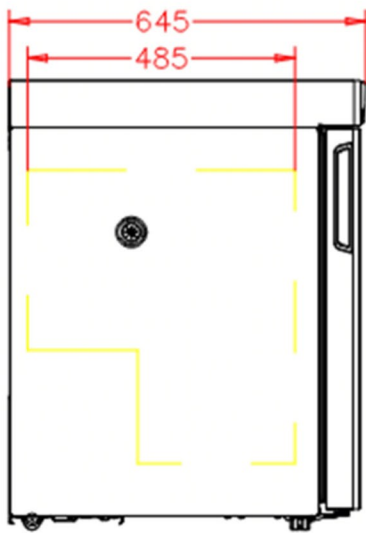
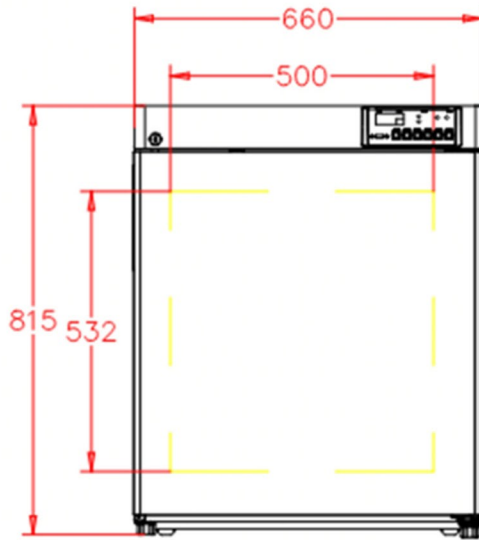


Alarms system
Multiple Alarm Functions

Structure



Dimensions



Specification

-10°C~-25°C Biomedical Freezer			
Model	DW-YL90		
Capacity	90L/3.18Cu.Ft.		
Internal Size (W*D*H) mm/inch	500*485*532		
External Size (W*D*H) mm/inch	660*645*815		
Package Size (W*D*H) mm/inch	722*697*890		
NW/GW (kgs)	51/60(220-240V 50HZ/60HZ) 54/60(110V/60HZ)		
Performance			
Temperature Range	-10~-25 °C		
Ambient Temperature	16-32°C		
Cooling Performance	-25°C		
Climate Class	N		
Controller	Microprocessor		
Display	Digital Display		
Refrigeration			
Compressor	1pc		
Cooling Method	Direct Cooling		
Defrost Mode	Manual		
Refrigerants	R600a		
Insulation Thickness(mm)	D:80, L/R:80, B:76		
Construction			
External Material	PCM		
Inner Material	Sprayed Aluminum Sheet/Stainless steel (optional)		
Shelves	3(ABS)		
Access Test Port	1pc. Ø 23 mm		
Casters	2+(2 balancing feet)		
Data Logging/ Interval /Recording Time	USB/Record every 10 minutes / 100,000 data		
Interface	Remote Alarm Contact, RS485		
Backup Battery	Yes		
Alarms			
Temperature	High/Low Temperature, High Ambient Temperature		
Electrical	Low Battery, Data Logger Failure, Power Failure		
System	Sensor Error,Door Ajar,Data Communication Failure		
Electrical Data			
Power Supply(V/HZ)	110V/60Hz	220-230V/50Hz	220-240V/60Hz
Rated Current (A)	1.66A	0.98A	0.59A