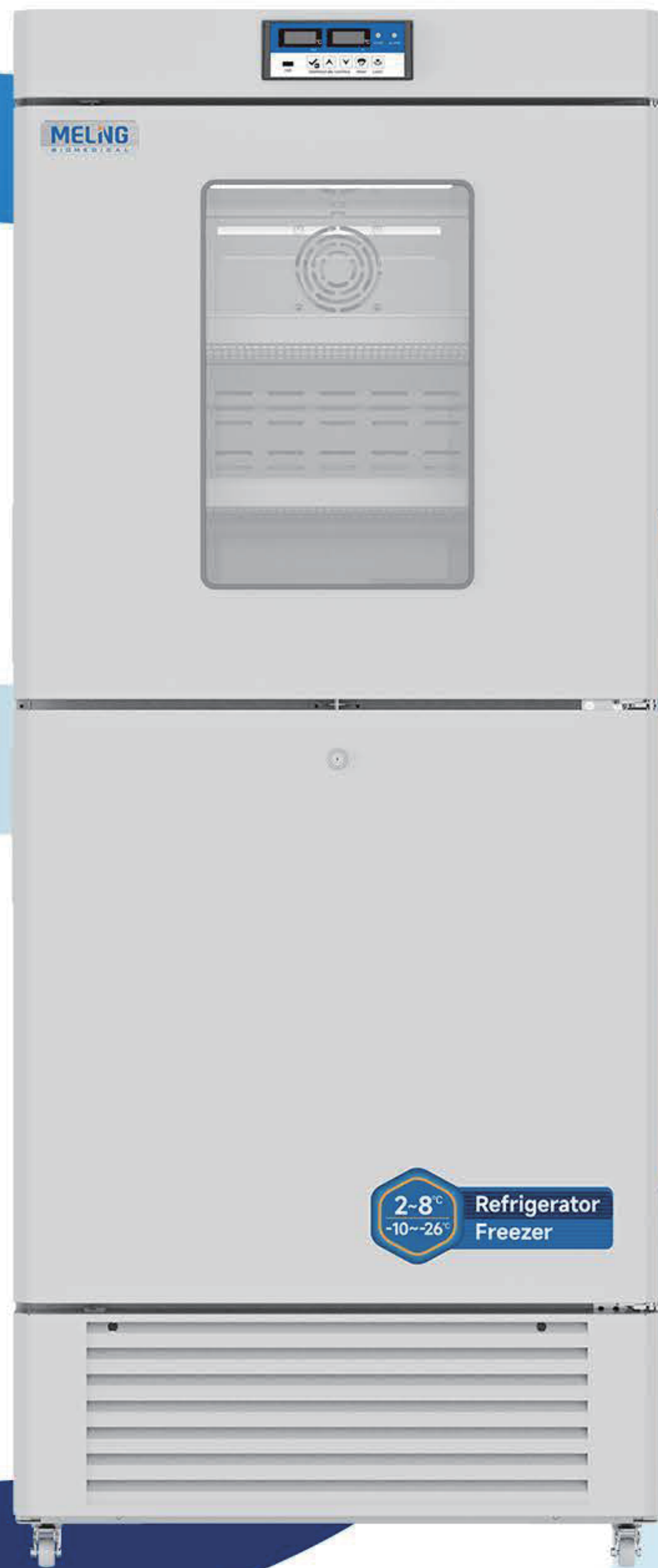


Best Seller

2~8/-10~-26°C

Combined Refrigerator and Freezer

Brand/New Appearance
Separate Control of Refrigeration and Freezing



YCD-EL450



Temp. Uniformity



Recovery time after
1 minute door open



Pulling down to 5/-26°C

*Typical freezer data based on internal testing with freezer set point at 5/-26°C and ambient temperature at 22°C.

Features



2 independent compressors



Temperature control system
Display temp. in 0.1°C increments



Built-in data logger
Store up to 100,000 groups of temperature data



CE certificate



Upper chamber with double-pane glass



Alarms system
Multiple alarm functions

Structure

Plastic coated steel wire



Access port



Double-pane glass door



Heavy duty casters with 2 brakes



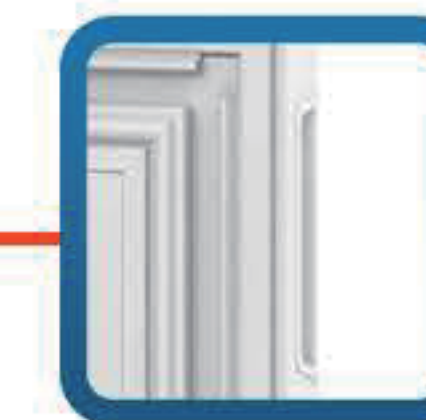
Built-in data logger with USB port



LED lights turn on automatically



Ergonomic design handle

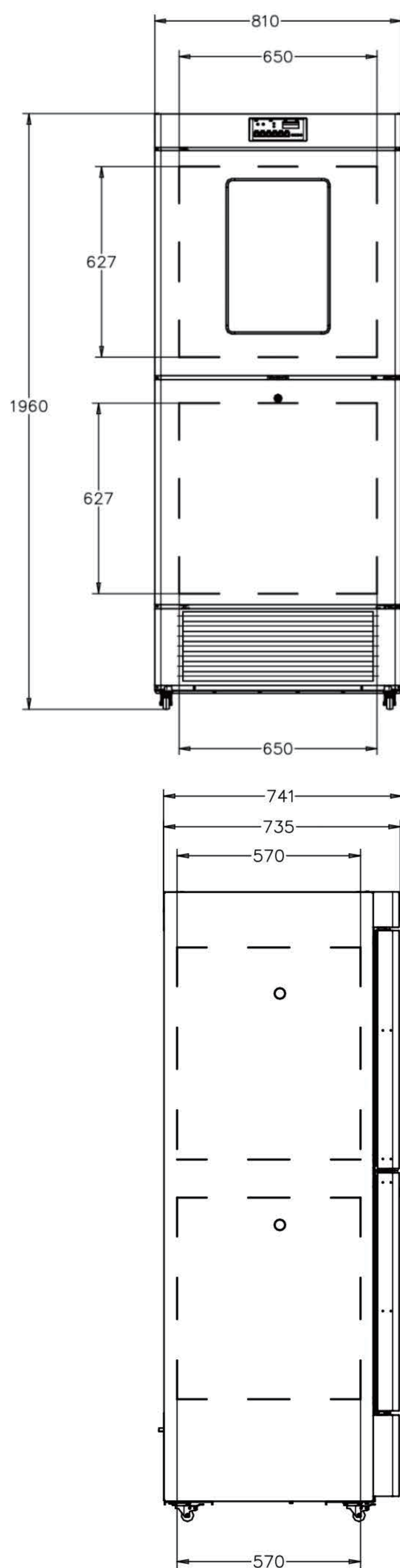


ABS drawers



Dimensions

Specification



2~8°C/-10~-26°C/Combined Refrigerator And Freezer

Model	YCD-EL450
Capacity	450L/15.88 Cu.Ft
Upper Chamber	225L/7.94 Cu.Ft
Lower Chamber	225L/7.94 Cu.Ft
Internal Size (W*D*H) mm/Inch	R: 650*570*627/25.59*22.44*24.69 F: 650*570*627/25.59*22.44*24.69
External Size (W*D*H) mm/Inch	810*735*1960/31.89*28.94*77.17
Package Size (W*D*H) mm/Inch	895*820*2135/35.24*32.28*84.06
NW/GW (kgs)	144/170

Performance

Temperature Range	R:2~8°C F:-10~-26°C
Ambient Temperature	16~32°C
Cooling Performance	R:5°C F:-26°C
Climate Class	N
Controller	Microprocessor
Display	Digital Display

Refrigeration

Compressor	2pcs
Cooling Method	Direct Cooling
Defrost Mode	R:Automatic F:Manual
Refrigerant	R600a; R600a
Insulation Thickness(mm)	D:76, L/R:80, B:80

Construction

External Material	PCM
Inner Material	Sprayed Aluminum Plate
Shelves	R:3 (Plastic Coated Steel Wire Shelves) ,F:6(ABS)
Access Test Port	2pcs. Ø 23 mm
Casters	4+(2 brakes)
Data Logging/ Interval /Recording Time	USB/Record every 10 minutes/100,000 data
Interface	Remote Alarm Contact, RS485
Backup Battery	Yes

Alarms

Temperature	High/Low Temperature, High Ambient Temperature
Electrical	Power Failure, Low Battery
System	Sensor Error, Data Logger Failure, Data Communication Failure, Door Ajar,

Electrical

Power Supply(V/Hz)	110V/60Hz	220-240V;50Hz	220-240V;60Hz
Rated Current(A)	3A	2.1A	1.84A