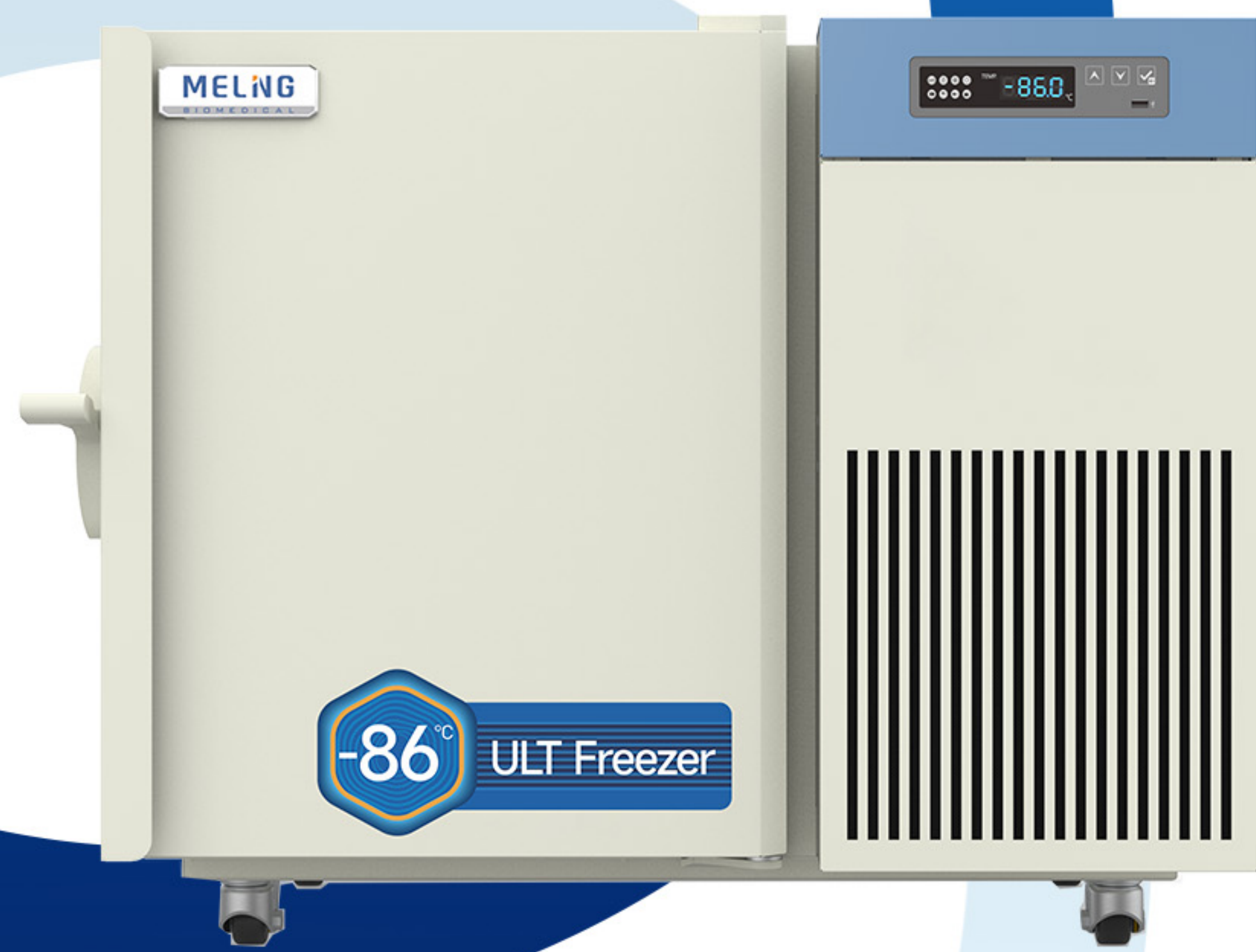


Undercounter

-86°C ULT freezer

DW-HL50 is designed and manufactured for long term storage of various biological products.



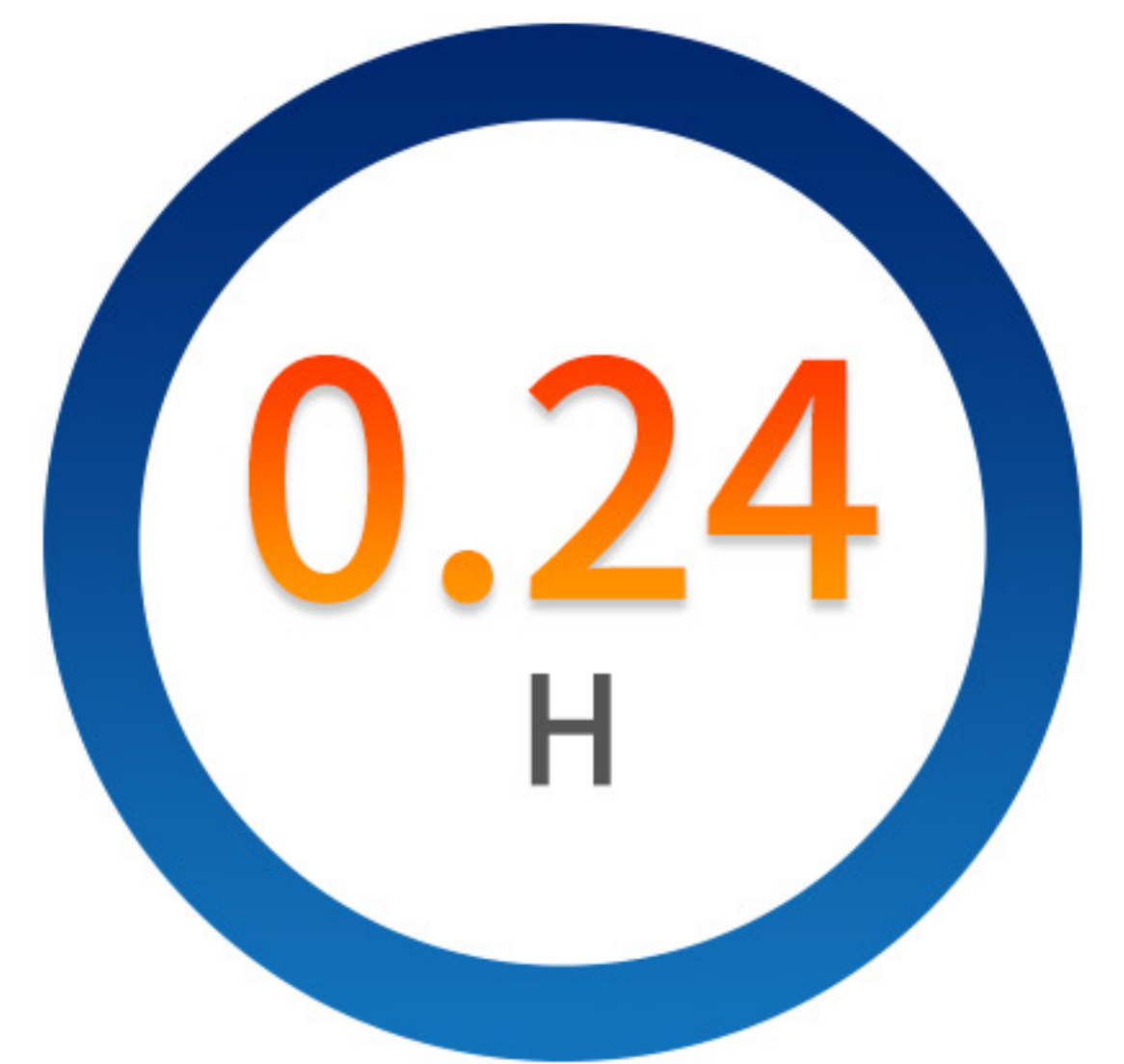
DW-HL50



Insulation thickness



Pulling down to -80°C



Temp. recovery after door opened for 1 min

*Typical freezer data based on internal testing with freezer set point at -80°C and ambient temperature at 25°C.

Features



Brand compressor



Temperature control system

Display temp. in 0.1°C increments



Hydrocarbon refrigerant

Environment-friendly natural gas



CE certificate



CO₂ back up system

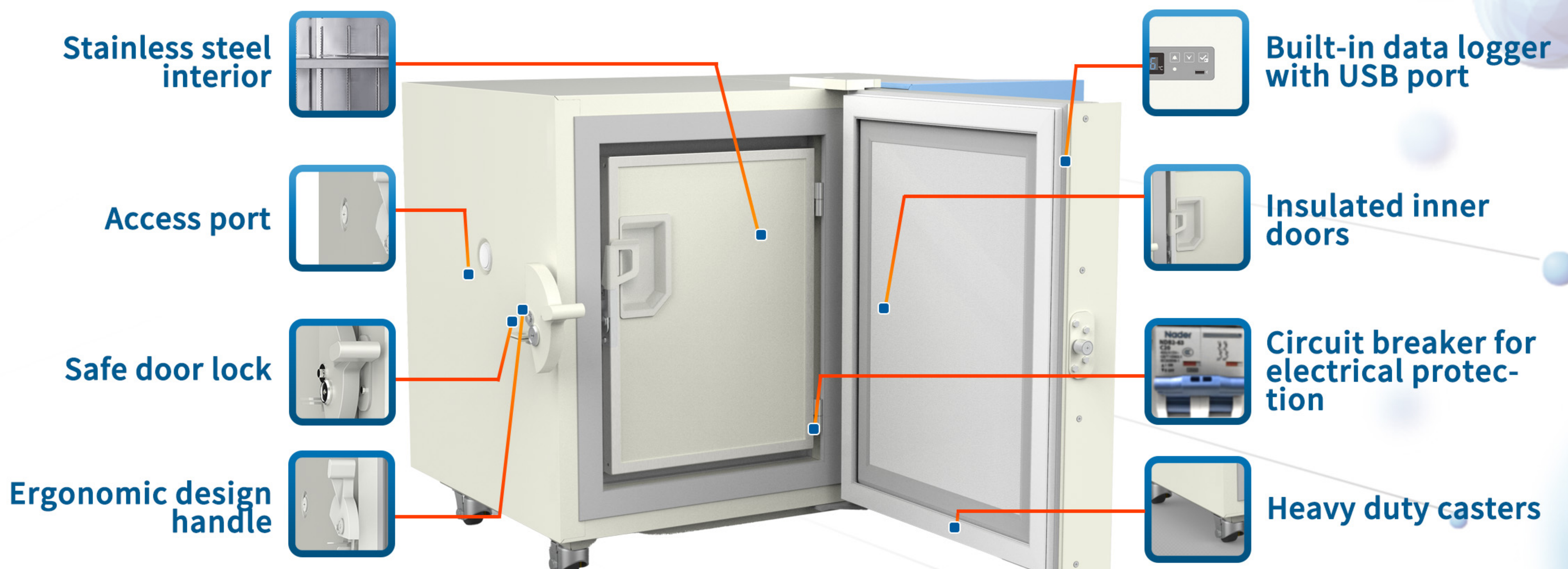
Optional for extra security for sample

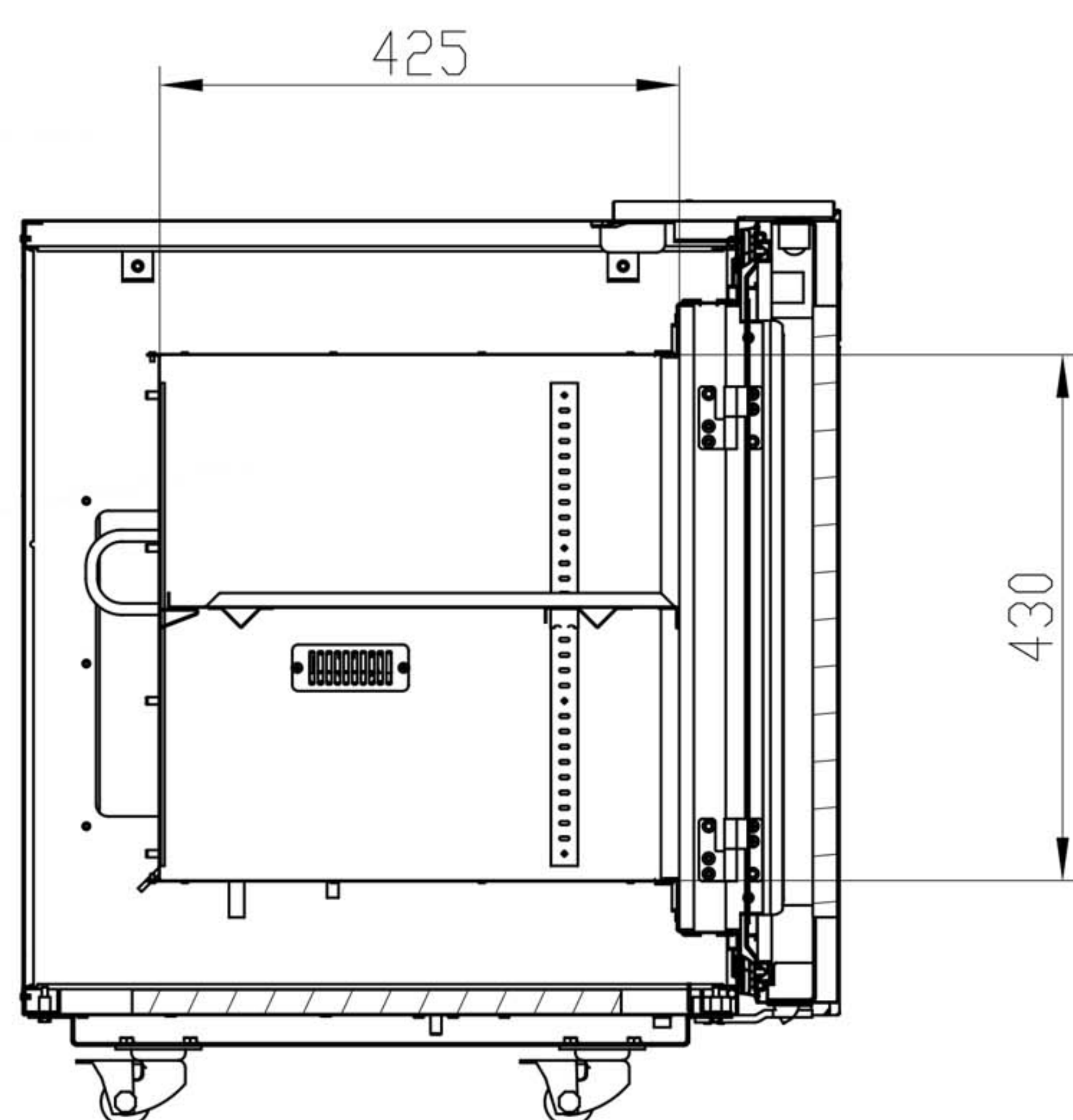
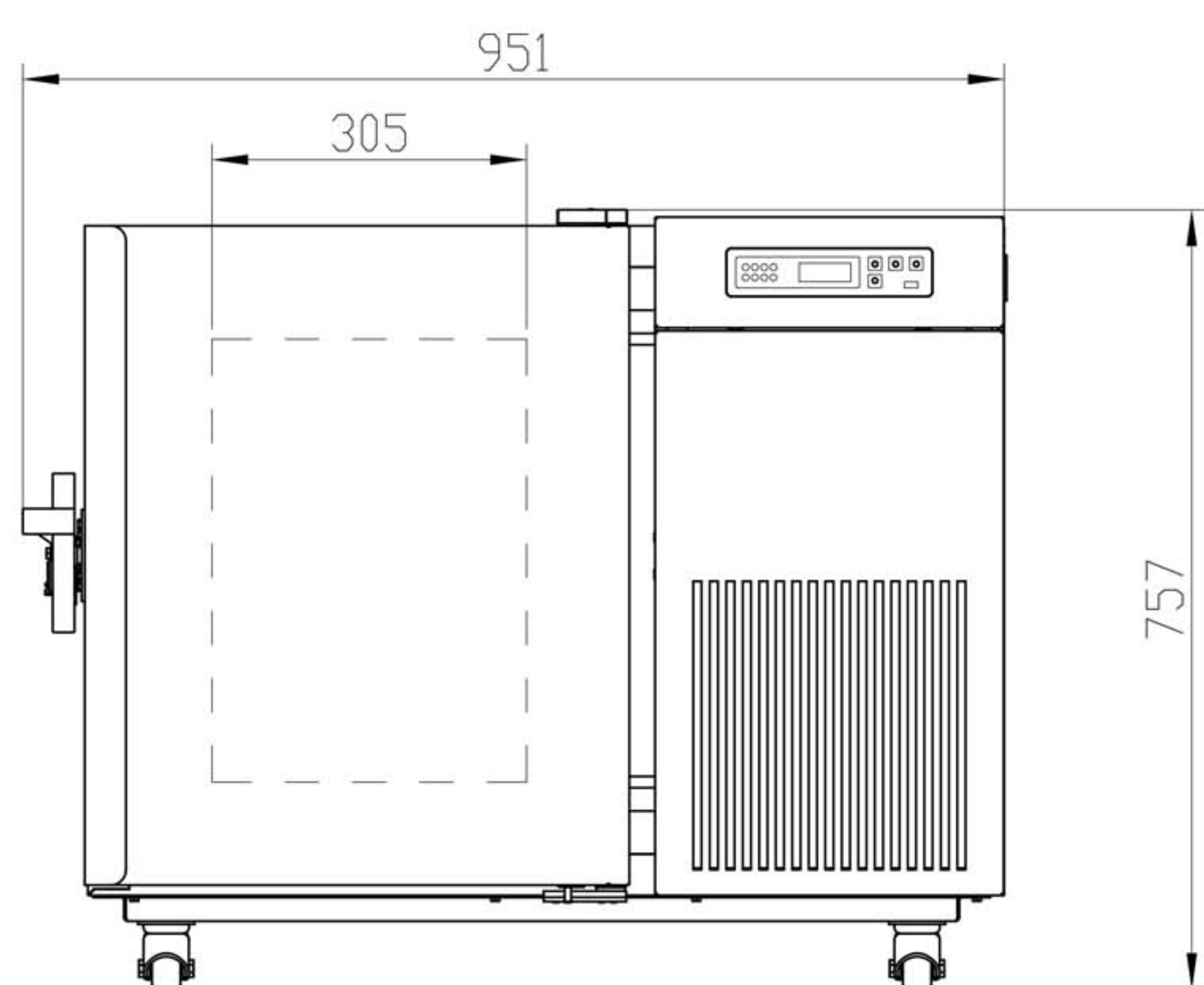


Alarms system

Multiple alarm functions

Structure





-86°C Ultra-low Temperature Freezer		
Model	DW-HL50	
Capacity	50	
Internal Size (W*D*H) mm/inch	305*425*430	
External Size (W*D*H) mm/inch	951*700*757	
Package Size (W*D*H) mm/inch	1045*770*932	
NW/GW (kgs)	104/124(220-240V/50Hz)	96/116(110V/60HZ)
Performance		
Temperature Range	-40~-86°C	
Ambient Temperature	16~32°C	
Cooling Performance	-86°C	
Climate Class	N	
Controller	Microprocessor	
Display	Digital Display	
Refrigeration		
Compressor	1pc	
Cooling Method	Direct Cooling	
Defrost Mode	Manual	
Refrigerant	HC	Mixed
Insulation Thickness(mm)	D:76, L/R:110, B:110	D:76, L/R:110, B:111
Construction		
External Material	Cold Rolled Steel Sheet	
Inner Material	Stainless Steel	
Shelves	1(stainless steel)	
Access Test Port	1pc. Ø 25 mm	
Casters	4/2	
Data Logging/ Interval /Recording Time	USB/Record every 10 minutes/100,000 data	
Interface	Remote Alarm Contact, RS485	
Backup Battery	Yes	
Alarms		
Temperature	High/Low Temperature, High Ambient Temperature, Condenser High Temperature Alarm	
Electrical	Power Failure, Low Battery, Sensor Error, Battery Power Detection Failure	
System	Data Communication Failure, Door Ajar	
Electrical Data		
Power Supply(V/HZ)	220-240V/50Hz	110V/60Hz
Rated Current (A)	5.42A	10A